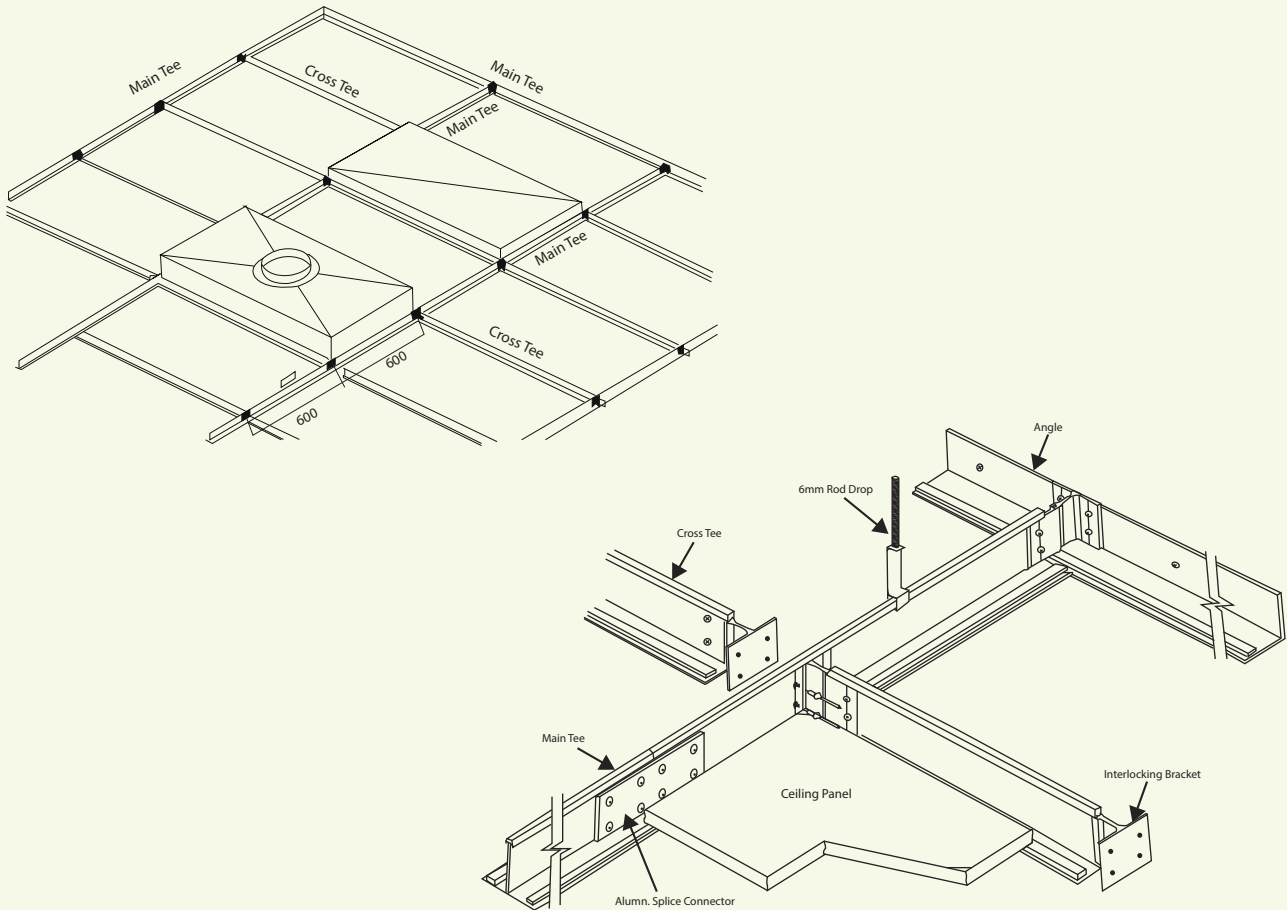




50mm Ceiling Grid Systems

Light Duty

LD50 Ceiling Grid System



SPECIFICATION

CPS™ Light Duty Ceiling Grid Systems

- Ceiling Grid
- Finishing
- Point Load (At mid-span of tee)
- Maximum Permissible Uniform Load for one Suspension/Grid
- Standard 600mmx1200mm or 1200mm x 1200mm
- Natural Anodised, Electro-Deposition or Epoxy Powder Coating
- Extruded aluminium alloy 6063-T5
- 20kg (Middle of 600mm grid length)
- 10kg (Middle of 1200mm grid length)
- 30 kg (Including lighting fixtures, filter, blank panel, etc)

NON-WALKABLE

- Suspension and leveling by means of M6 hanging rod or high carbon steel wire with rod drop hand hanging clip.
- Can support fan filter unit on 25% of ceiling area evenly distributed.
- Pre-fixed polyethylene gasket on the edges of tee.